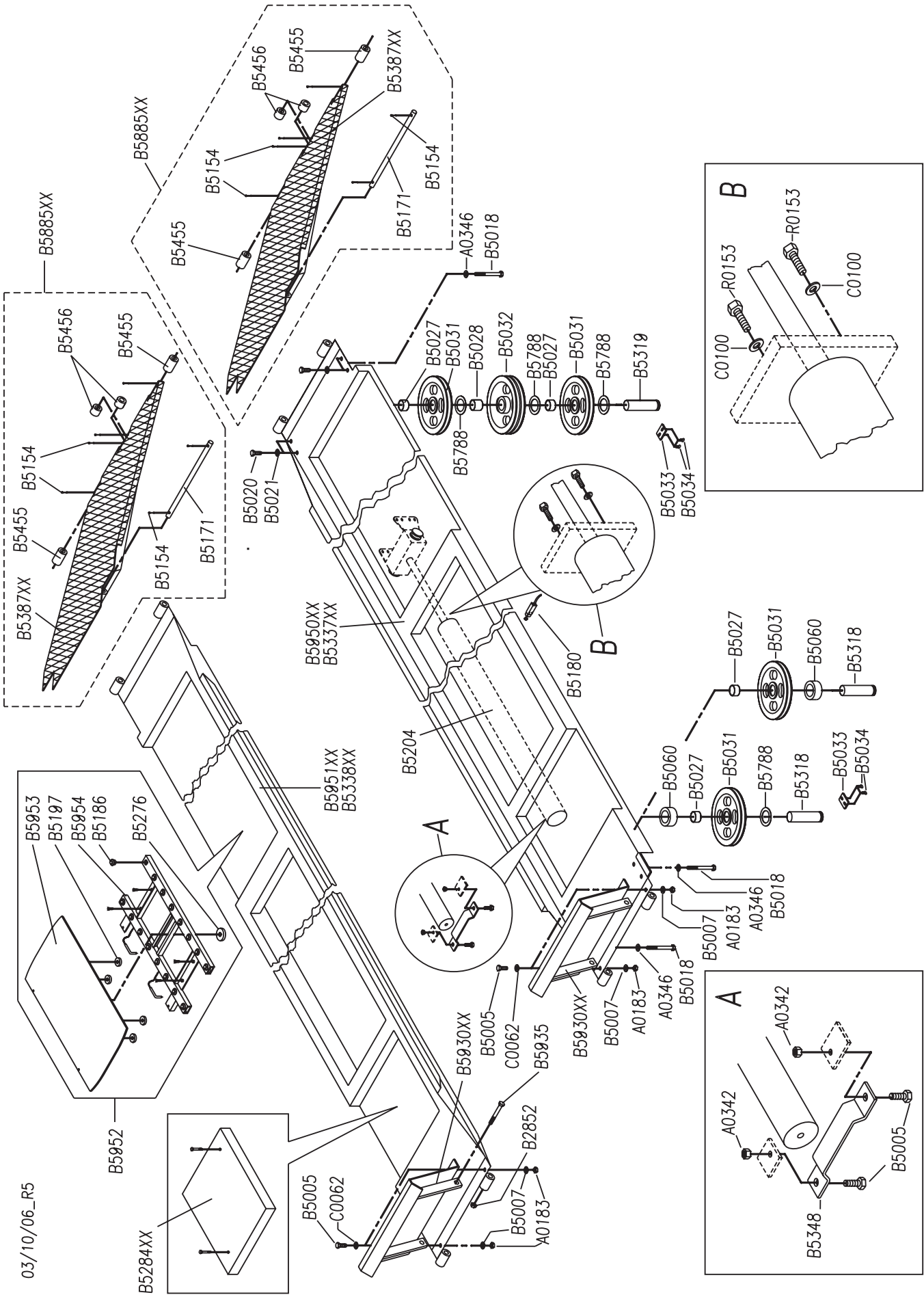
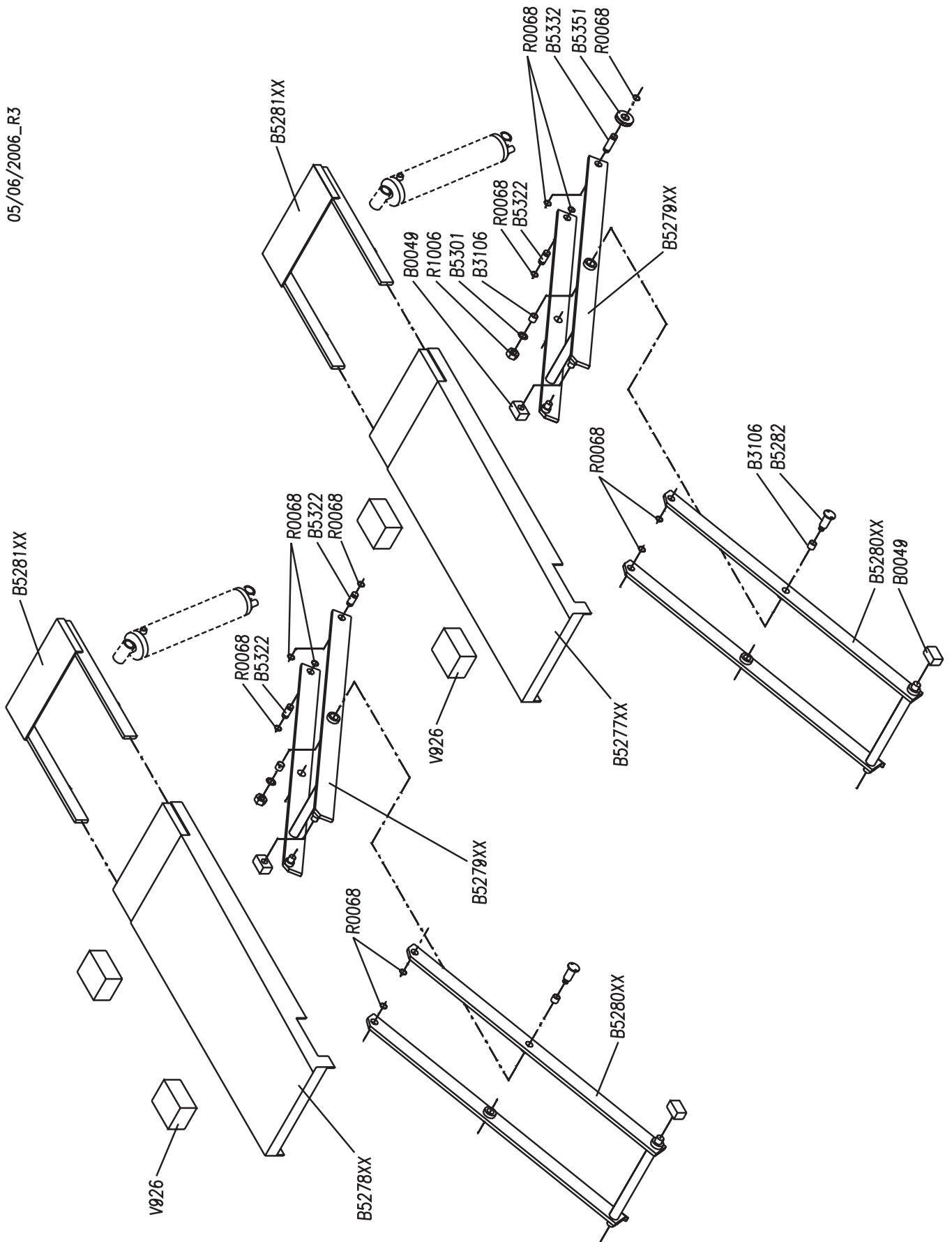


17/10/2006_R4

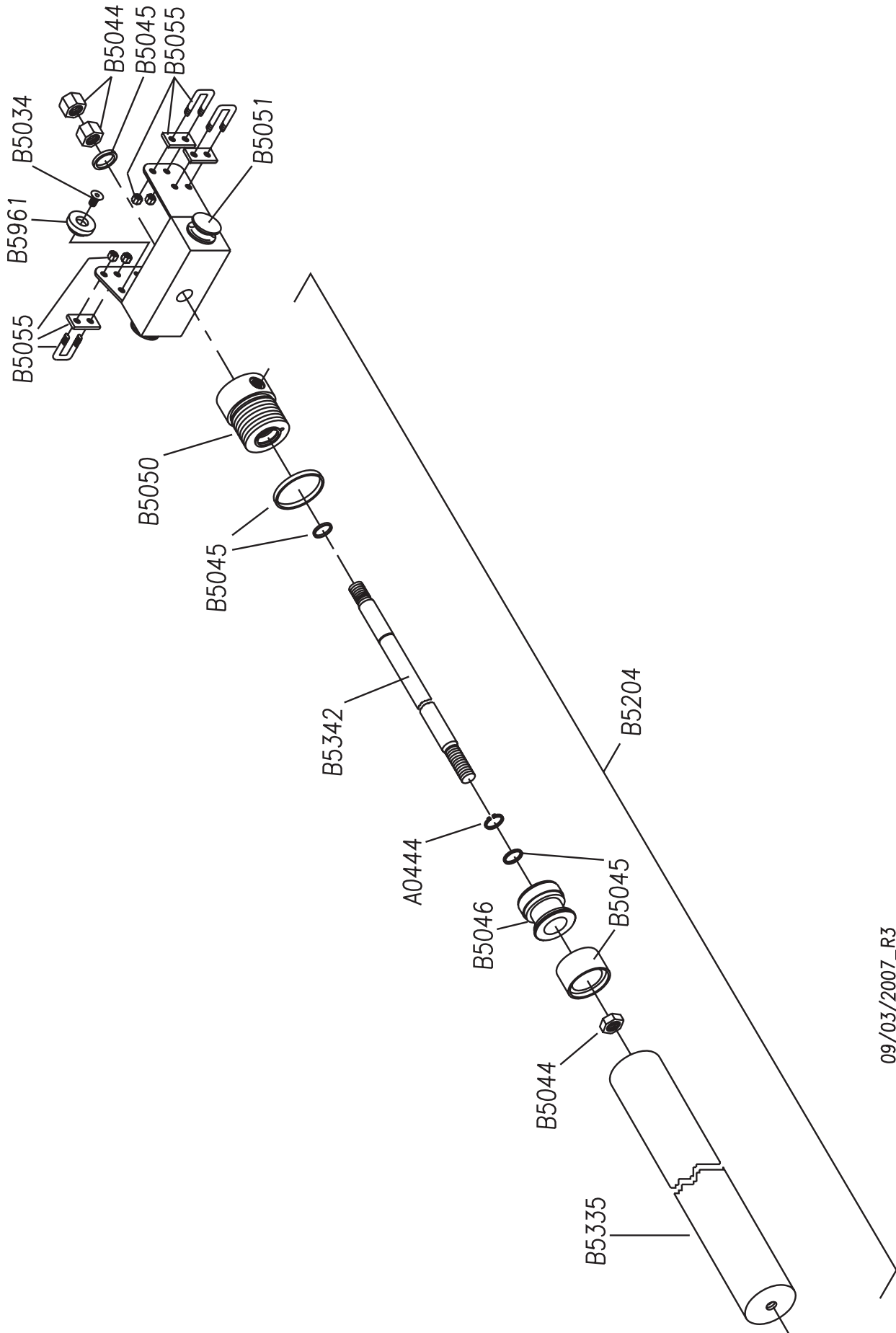


05/06/2006_R3

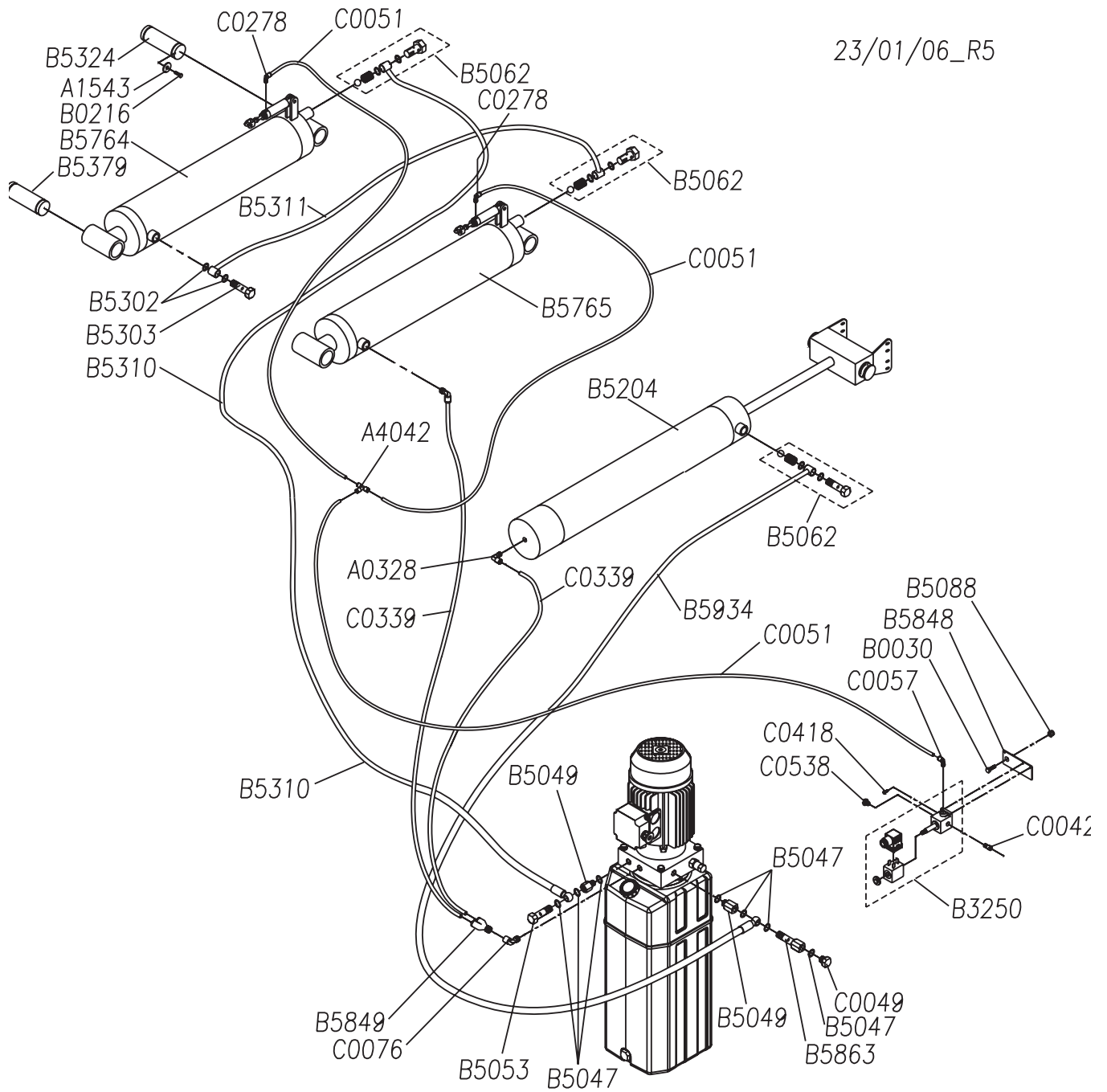


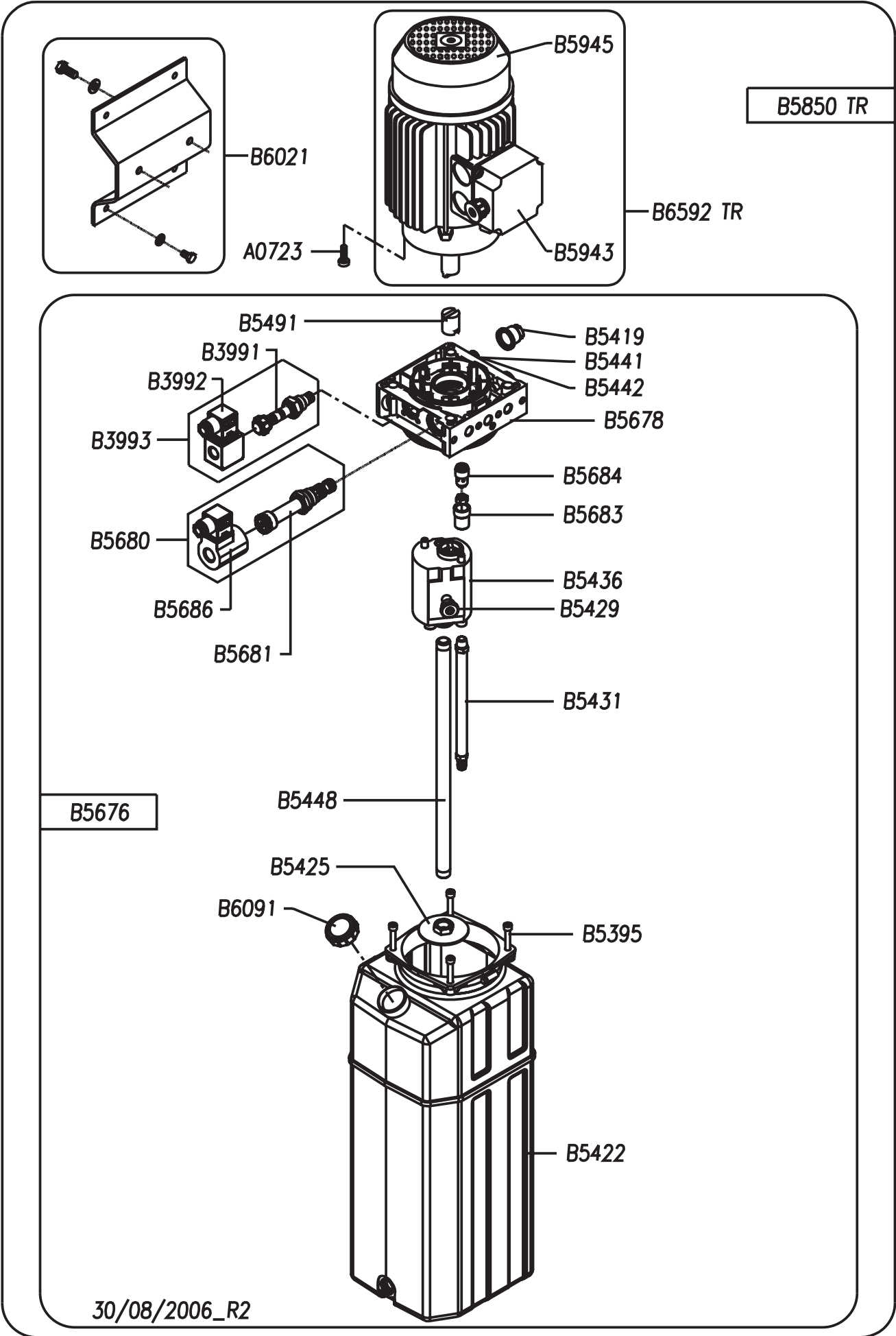
Huvudcylinder

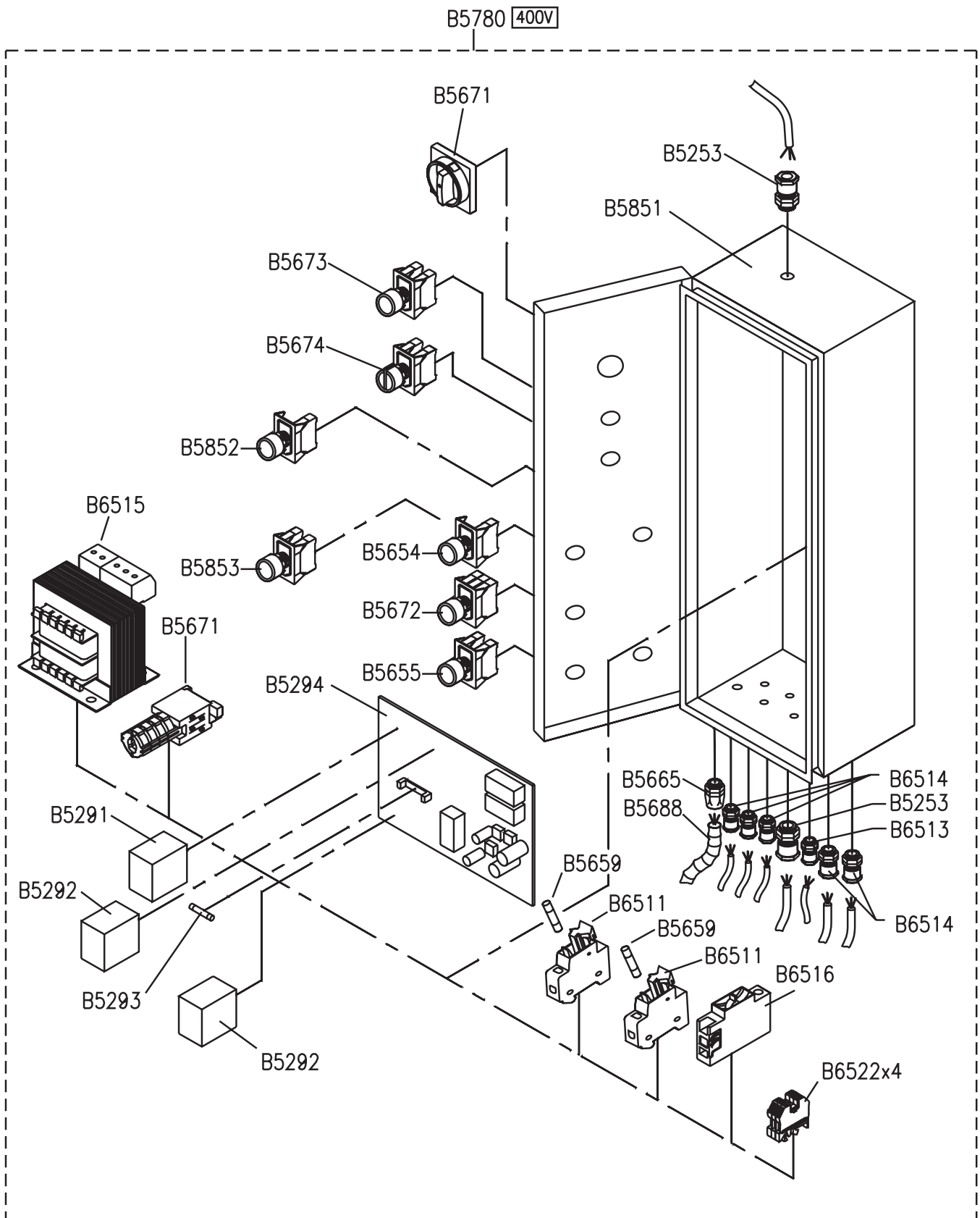
Main cylinder



09/03/2007_R3







Art nr	Sugg	Beskrivning	Description
A0183		DADO M10 UNI 5588	NUT M10 UNI 5588
A0185		SEEGER E18 UNI 7435	SNAP RING E18 UNI 7435
A0328		RACCORDO "L" 1/4" M X TUBO Ø 8	L-SHAPED COUPLING 1/4" M FOR PIPE Ø 8
A0342		DADO AUTOBLOCCANTE M10 ZINCATO	GALVANIZED SELF-LOCKING NUT M10 UNI 7473
A0346		RONDELLA P 12 X 24 UNI 6592	WASHER 12 X 24
A0400		SEEGER E20 UNI 7435	SNAP RING E20 UNI 7435
A0444		SEEGER E25 UNI 7435	SEEGER E25 UNI 7435
A0723		VITE TCEI M8X20 UNI 5931	SCREW TCEI M8X20 UNI 5931
A0900		VITE TSPEI M6 X 18 UNI 5933	COUNTERSUNK FLAT SOCKET SCREW M6 X 18 UNI 5933
A1543		RONDELLA P 8 (9x24x2) UNI 6593 ZB	WASHER 8 (9x24x2)
A4042		RACCORDO RAPIDO "T" Ø6 S6540	QUICK "T" CONNECTION Ø6 S6540
B0030		VITE TE M8X16 UNI 5739	SCREW TE M8X16 UNI 5739
B0049	*	PATTINO DI SCORRIMENTO	SLIDE PAD
B0216		VITE TE M8X12 UNI 5739	SCREW TE M8x12 UNI 5739
B2815	*	FINECORSA SALITA TIPO PIZZATO FR654	ASCENT LIMIT SWITCH TYPE PIZZATO FR654
B2843	*	FINECORSA SICUREZZA TIPO PIZZATO FR1454	SAFETY LIMIT SWITCH TYPE PIZZATO FR1454
B2846		PULEGGIA Ø50 X SENSORE FUNE	PULLEY Ø50 X ROPE SENSOR
B2852		DADOBLK BASSO M12 6S. UNI 7474	SELF-LOCKING NUT M12
B2864		TIRANTE AZIONAMENTO ELETTROMAGNETE	MAGNET OPERATING CABLE
B3106		BOCCOLA AUTOLUBR.30X34X30	SELF-LUBRIFICATING BUSHING Ø30X34X30
B3250		MICROVALVOLA PNEUMATICA	PNEUMATIC MICROVALVE
B3991		VALVOLA VE1-NC-EM	VALVE
B3992		BOBINA S2-CE 24VRAC 50/60HZ +CONNETTORE RADDRIZZATO	COIL
B3993		EL.VALV.COMPL.VE1-NC-EM 24VRAC CENTR. K3	COMPLETE ELECTRO-VALVE HYDRAULIC POWER K3
B4045		SEEGER E12 UNI 7435	SEEGER E12 UNI 7435
B5005		VITE TE M10X25 UNI 5739	SCREW TE M10 X 25
B5007		RONDELLA P 10 X 30 UNI 6593	WASHER 10 X 30 UNI 6593
B5008		RONDELLA P 21X37X3 UNI 6592	WASHER Ø21X37X3 UNI 6592
B5009		DADO M20 UNI 5588	NUT M20 UNI 5588
B5011		VITE TCCE M5X35 UNI 5931	SCREW M5X35 UNI 5931
B5012		DADO CIECO M5 UNI 5721	BLANK NUT M5 UNI 5721
B5018		VITE TE M12 X 100 UNI 5737	H.H. SCREW M12 X 100 UNI 5737
B5019		PERNO AZIONAMENTO T.L.C. W435	COMMAND SIDE CROSS PIN
B5020		VITE TE M12X25 UNI 5739	SCREW TE M12X25 UNI 5739
B5021		RONDELLA DE Ø12 DIN 6798 A	WASHER OD Ø12 DIN 6798 A
B5023		PERNO AZIONAMENTO T.L.O. W435	OPPOSITE SIDE CROSS PIN
B5027	*	BRONZINA Ø 40 X 44 X 20 MBI - CB85 - 4020	BUSHING Ø 40 X 44 X 20 MBI - CB85 - 4020
B5028	*	BRONZINA Ø 40 X 44 X 30 MBI - CB85 - 4030	BUSHING Ø 40 X 44 X 30 MBI - CB85 - 4030
B5031	*	PULEGGIA 1 GOLA Ø 230 X 25	1-RACE PULLEY Ø 230 X 25
B5032	*	PULEGGIA 2 GOLA Ø 230 X 31	2-RACE PULLEY Ø 230 X 31
B5033		LAMA FERMAPERNO	PIN STOPPING PLATE
B5034		VITE TSPEI M8X12 UNI 5933	SCREW TSPEI M8X12 UNI 5933
B5035		TIRANTE MAGNETE 430	MAGNET TIE ROD
B5041		TIRANTE PERNO AZIONAMENTO DX W	RIGHT PIN BOLT
B5044		DADO M M22 X 1,5 UNI 5588	NUT M22 X 1.5 UNI 5588
B5045	*	KIT GUARNIZIONI CILINDRO	CYLINDER GASKET KIT
B5046		STANTUFFO	PISTON

B5047		RONDELLA DI TENUTA CON GUARNIZIONE 1/4"	GASKET WITH 1/4" SEAL
B5049		PROLUNGA M-F 1/4"	EXTENSION
B5050		TESTATA	CYLINDER HEAD
B5051		GIOGO	BEAM
B5053	*	VITE FORATA 1/4	SCREW 1/4
B5055		MORSETTO	CLAMP
B5057	*	PULEGGIA 1 GOLA Ø230 X 40 + BRONZINA MBI C85-4040	1-RACE PULLEY Ø230 X 40 + BUSHING MBI C85-4040
B5059	*	DISTANZIALE Ø40 X 9	SPACER Ø40 X 9
B5060	*	DISTANZIALE Ø40X27	SPACER Ø40X27
B5062	*	KIT VALVOLA BLOCCA CILINDRO	CYLINDER SAFETY VALVE ASSEMBLY
B5063		TIRANTE PERNO AZIONAMENTO SX	LEFT PIN BOLT
B5068		PERNO ANTISCARRUCOLAMENTO Ø16 X 101	SAFETY PIN Ø16 X 101
B5069		PERNO GUIDA ASTE DI SICUREZZA	SAFETY ROD PIN
B5070		PERNO Ø20 X 101	PIN Ø20 X 101
B5071		PERNO PULEGGIE TRAVERSE Ø40 X 104	CROSSPIECE PULLEY PIN Ø40 X 104
B5075		PATTINO LATERALE Ø35X10	SIDE SLIDING PAD Ø35X10
B5076	*	PATTINO POSTERIORE Ø35 X 17	REAR SHOE Ø35 X 17
B5080		TIRANTE TASTAFUNE	ROPE -FEELER TIE ROD
B5085		DADOBLK BASSO M 6 6S. UNI 7474	SELF-LOCKING NUT M6
B5087		MOLLA INFERIORE RICHIAMO MARTELLETTI	WEDGE RETURN BOTTOM SPRING
B5088		DADO BLOK M8 UNI 7474	NUT M8 UNI 7474
B5108		MORSETTO PER CAVO Ø2,5 MM.	CABLE CLAMP Ø2.5 MM
B5109	*	ELETTROMAGNETE "WARNER" TIPO TT10 24VAC	ELECTROMAGNET "WARNER" TYPE TT10 24VAC
B5113		MORSETTIERA MAMMUTH 4 POLI T.L.C.	CONTROL SIDE CROSSPIECE 4-POLE TERMINAL BOARD
B5116		TIRANTE PIEGATO	BENT TIE ROD
B5120		SCATOLA DI DERIVAZIONE T.L.O.	OPERATOR SIDE CROSSPIECE CONNECTOR BLOCK
B5122		MORSETTIERA MAMMUTH 2 POLI T.L.C.	CONTROL SIDE CROSSPIECE 2-POLE TERMINAL BOARD
B5124		MARTELLETTO DI SERVIZIO DX	RIGHT AUXILIARY WEDGE
B5125		MARTELLETTO DI SERVIZIO SX	LEFT AUXILIARY WEDGE
B5126XX		CARTER PROTEZIONE MAGNETI	MAGNET PROTECTION CRANKCASE
B5154		COPIGLIA 3X40 UNI 1336	ZINC-PLATED COTTER PIN Ø3X40
B5166		ASTA DI SICUREZZA	SAFETY ROD
B5171		PERNO CERNIERA	HINGE PIN
B5180		FINECORSO DI DISCESA PIZZATO FR 754	DESCENT LIMIT SWITCH PIZZATO FR 754
B5186		SFERA PIASTRE OSCILLANTI	BALL FOR OSCILLATING PLATES
B5196		CAPPELLO COLONNA	POST CAP
B5197		RULLO LATERALE	SIDE ROLL
B5199		FUNE "K" L=13380	ROPE "K" L=13380
B5200		FUNE "X" L=13200	ROPE "X" L=13200
B5204		CILINDRO COMPL.450LT-ATLT	COMPLETE CYLINDER
B5253		PASSACAVO GEWISS PG13.5	CABLE CLAMP GEWISS PG13.5
B5266		AZIONATORE FINECORSO	LIMIT SWITCH ACTUATOR
B5276		RULLO CENTRALE	CENTRAL ROLL
B5277XX		PIANALE TORRETTA LATO COMANDO	COMMAND SIDE TURRET PLATFORM
B5278XX		PIANALE TORRETTA LATO OPPOSTO	OPPOSITE SIDE TURRET PLATFORM
B5279XX		LEVA INTERNA L.T.	INSIDE LEVER L.T.
B5280XX		LEVA ESTERNA L.T.	OUTSIDE LEVER L.T.
B5281XX		PROLUNGA PIANALE TORRETTA	TURRET PLATFORM EXTENSION

B5282		PERNO UNIONE LEVE L.T.	L.T. LEVER UNION PIN
B5284XX		COPERTURA ANTERIORE	FRONT PLATE
B5291	*	RELÈ FINDER 24VAC 55.32.9.024.0040	RELAY FINDER 24VAC 24VAC 55.32.9.024.0040
B5292	*	RELÈ FINDER 24VAC 55.34.9.024.0040	RELAY FINDER 24VAC 24VAC 55.34.9.024.0040
B5293	*	FUSIBILE RITARDATO 5x20 4A T	FUSE 5x20 4A T
B5294		SCHEDA ELETTRICA M00GIOSCH20_02-04	ELECTRIC BOARD M00GIOSCH20_02-04
B5300		VITE TCTC 3,9X19 UNI 69543	SCREW 3,9X19
B5301		RALLA A/S 30X47X1	FIFTH WHEEL
B5302		RONDELLA ACC.3/8 17,3X23,9X2,1	WASHER 17,3X23,9X2,1
B5303		VITE FORATA 3/8*	HOLED SCREW*
B5310		TUBO PRIMARIO 450LT ATLT	PRIMARY HOSE
B5311		TUBO SECONDARIO 450LT ATLT	SECONDARY HOSE
B5312XX		TRAVERSA L.C.450LT ATLT 3002	CROSSPIECE COMMAND SIDE
B5313XX		TRAVERSA L.O.450LT ATLT 3002	CROSSPIECE OPPOSITE SIDE
B5315XX		CARTER TRAVERSA 450LT ATLT	CROSSPIECE CARTER
B5318		PERNO PULEGGE L92	PULLEY PIN L92
B5319		PERNO PULEGGEL121	PLATFORM PULLEY PIN L121
B5322		PERNO X LEVA 450LT ATLT	LEVER PIN
B5324		PERNO X CIL.TEL.L80 450LT ATLT	CYLINDER PIN L80
B5326		STANTUFFO PRIMARIO 450LT ATLT	PRIMARY PISTON
B5327		STANTUFFO X CIL.SEC.450LT ATLT	SECONDARY PISTON
B5328		TESTATA X CIL.PRIM.450LT ATLT	PRIMARY CYLINDER HEAD
B5329		TESTATA X CIL.SEC.450LT ATLT	SECONDARY CYLINDER HEAD
B5332		PERNO LEVA PORTA PULEGGIA	PIN LEVER-PULLEY
B5335		CILINDRO COMPL.450LT ATLT	COMPLETE CYLINDER
B5336		PISTONE 450LT ATLT	PISTON
B5337XX		PEDANA L.C. SENZA INCAVI	COMMAND SIDE PLATFORM WITHOUT RECESS
B5338XX		PEDANA L.O. SENZA INCAVI	OPPOSITE SIDE PLATFORM WITHOUT RECESS
B5342		STELO PER CIL.450LT ATLT	CYLINDER ROD
B5343XX		COLON.2-4 450LT ATLT 3002	POST 2-4
B5344XX		COLON.3 450LT ATLT 3002	POST 3
B5345XX		COLON.1 450LT ATLT 3002	POST 1
B5346	*	KIT GUARNIZ.CIL.PRIMARIO 450LT	PRIMARY CYLINDER GASKETS KIT
B5347	*	KIT GUARNIZ.CIL.SECOND.450LT	SECONDARY CYLINDER GASKETS KIT
B5348		SUPPORTO CILINDRO 450LT ATLT	CYLINDER SUPPORT
B5351		PULEGGIA Ø72 +BRONZINA	PULLEY Ø72 + BUSHING
B5352		ASTA DI SICUREZZA	SAFETY ROD
B5353		PERNO LEVERISMO ZEPPA LT	LEVER LT WEDGE PIN
B5356		ZEPPA LIFT TABLE	LIFT TABLE SECURITY WEDGE
B5378		VALVOLA TRAVASO CILINDRO SECOND. LT	TRANSFER VALVE LT SECONDARY CYLINDER
B5379		PERNO STELO CILINDRO LT	LT ROD-CYLINDER PIN
B5387		RAMPA SALITA	RISE RAMP
B5391		PATTINO LATERALE Ø35X7	SIDE SLIDING PAD Ø35X7
B5395		KIT FISSAGGIO SERBATOI IN PVC	TANK FASTENING KIT
B5419		TAPPO X PIOMBATURA VM15	PLUG
B5425		FILTRO ASPIRAZIONE 3/8"	AIR FILTER
B5429		TAPPO DIN 908 1/4+RONDELL.RAME	PLUG
B5431		TUBO DI SCARICO M12X1 L=300	DRAIN PIPE
B5436		POMPA 18 10A5X348N 5CC/REV	PUMP
B5441		VALVOLA DI RITEGNO 3/8" KE	CHECK VALVE
B5442		VALVOLA DI MASSIMA15 80-250BAR	MAX. PRESSURE VALVE15 80-250BAR

B5448		TUBO DI SCARICO 1/4 BSPT L=200	DRAIN PIPE
B5455		RULLO RAMPA L=50	RAMP ROLLER L=50
B5456		RULLO RAMPA L=25	RAMP ROLLER L=25
B5459		SENSORE TASTA FUNE DX COMPLETO	COMPLETE RIGHT ROPE -FEELER SENSOR
B5460		SENSORE TASTA FUNE SX COMPLETO	COMPLETE LEFT ROPE -FEELER SENSOR
B5461		MOLLA SUPERIORE RICHIAMO MARTELLETTI	WEDGE RETURN TOP SPRING
B5488		CORPO COLLARE DOPPIO 1/4	DOUBLE COLLAR BODY 1/4"
B5489		CORPO COLLARE SINGOLO Ø19	SINGLE COLLAR BODY Ø19
B5491		GIUNTO POMPA K3	CONNECTING PUMP K3
B5496		PISTONE CILINDRO PRIMARIO LT C/FRENO	PISTON LT PRIMARY CYLINDER WITH BRAKE
B5654	*	PULSANTE NERO + 1 CONTATTO N.O.	BLACK PUSH-BUTTON + 1 N.O. CONTACT
B5655	*	PULSANTE NERO + 2 CONTATTI N.O.	BLACK PUSH-BUTTON + 2 N.O. CONTACTS
B5659	*	FUSIBILE RITARDATO 10X38 2A aM	FUSE 10X38 2A aM
B5665		PASSAGUAINA GEWISS Ø20MM	SHEATH HOLDER GEWISS Ø20MM
B5671		INTERRUTTORE GENERALE	MAIN SWITCH
B5672	*	PULSANTE GRIGIO +2 CONT. N.O. + 1 CONT. N.C.	GREY PUSH-BUTTON + 2 N.O. CONTACTS + 1 N.C. CONTACT
B5673	*	PULSANTE VERDE + 2 CONTATTI N.O.	GREEN PUSH-BUTTON + 2 N.O. CONTACTS
B5674		SELETTORE 3 POS +2 CONT.N.O.+2 CONT.N.C.	SELECTOR SWITCH 3 POSITION + 2 N.O. CONTACTS + 2 N.C. CONTACTS
B5676		CENTRALINA K3	GEARCASE
B5678		COLLETTORE KE2000 M16/Z 80-250BAR	MANIFOLD
B5680		EL.VALV. 3 VIE COMPL.CENTRAL.K3	3 WAY COMPLETE ELECTRO-VALVE
B5681		VALVOLA V3D-DT-CEI	VALVE V3D-DT-CEI
B5683		KIT COLONNETTA FRAGIFLUSSO	STUD BOLT KIT
B5684		VALVOLA STF38 9L/MIN	VALVE STF38 9L/MIN
B5686		BOBINA S4-CEI 24V 26W+CONNETTORE	COIL S4-CEI 24V 26W+ CONNECTOR
B5688		GUAINA Ø20MM DIFLEX	SHEATH Ø20MM DIFLEX
B5764		CILINDRO PRIMARIO LT	LT MAIN CYLINDER
B5765		CILINDRO SECONDARIO LT	LT SECONDARY CYLINDER
B5766		CANNA CILINDRO PRIMARIO LT	LT MAIN CYLINDER TUBE
B5767		CANNA CILINDRO SECONDARIO LT	LT SECONDARY CYLINDER TUBE
B5768		CILINDRO PNEUMATICO	PNEUMATIC CYLINDER
B5780		QUADRO ELETTRICO COMPLETO TRIFASE 400V	THREE-PHASE COMPLETE CONTROL PANEL 400V
B5788	*	RONDELLA IN NYLON	NYLON WASHER
B5832		VALVOLA TRAVASO CILINDRO PRIMARIO LT C/FRENO	TRANSFER VALVE LT PRIMARY CYLINDER WITH BRAKE
B5848		SUPPORTO MICROVALVOLA	MICROVALVE SUPPORT
B5849		RACCORDO A "Y" 1/4M-Ø8 S6450	QUICK "Y" CONNECTION M1/4"-Ø8 S6450
B5850		CENTRALINA COMPLETA K3	COMPLETE GEARCASE K3
B5851		CASSETTA	ELECTRIC BOX
B5852	*	PULSANTE NERO + 1 CONT. N.C.+ 1 CONT. N.O.	BLACK PUSH-BUTTON + 1 N.C. CONTACT + 1 N.O. CONTACT
B5853	*	PULSANTE NERO + 1 CONT. N.C.+ 2 CONT. N.O.	BLACK PUSH-BUTTON + 1 N.C. CONTACT + 2 N.O. CONTACTS
B5863		VITE FORATA 1/4 PER MANOMETRO	HOLED SCREW ¼ FOR GAUGE
B5885XX		KIT RAMPA SALITA	RISE RAMP KIT
B5930		FERMARUOTA	WHEEL STOP
B5931		VITE TE M12x100 UNI 5739	SCREW M12x100 UNI 5739
B5934		TUBO FLESS.CIL.450LT ATLT	CYLINDER FLEXIBLE HOSE
B5935		VITE TCCE M12x80 UNI 5931 ZN	SCREW M12x80 UNI 5931 ZN
B5943		COPRIMORSETTIERA MOTORE	MOTOR TERMINAL BOARD COVER

B5945		COPRIVENTOLA MOTORE	MOTOR AIR-CONVEYOR
B5950XX		PEDANA L.C. PER ASSETTO TOTALE MOD. 2007	COMMAND SIDE PLATFORM FOR TOTAL ALIGNMENT MOD. 2007
B5951XX		PEDANA L.O. PER ASSETTO TOTALE MOD. 2007	OPPOSITE SIDE PLATFORM FOR TOTAL ALIGNMENT MOD. 2007
B5952		PIASTRA OSCILLANTE COMPLETA MOD. 2007	COMPLETE OSCILLATING PLATE MOD. 2007
B5953		PIASTRA OSCILLANTE SUPERIORE MOD. 2007	UPPER PLATE MOD. 2007
B5954		TELAIO INFERIORE PIASTRA OSCILLANTE MOD. 2007	LOWER FRAME MOD. 2007
B5958		SPIRALE 50x40 PER TUBAZIONI	SPIRAL FOR HOSES
B5961		PATTINO GIOGO	BEAM SLIDING PAD
B6021		KIT STAFFA SUPPORTO	SUPPORT BRACKER KIT
B6091		TAPPO SERBATOIO	TANK PLUG
B6135		CARTER	CASING
B6511		PORTAFUSIBILE 10X38 WIMEX PCH1	FUSE CARRIER 10X38 WIMEX PCH10X38
B6513		PASSACAVO GEWISS PG 9	CABLE CLAMP GEWISS PG9
B6514		PASSACAVO GEWISS PG11	CABLE CLAMP GEWISS PG11
B6515	*	TRASFORMATORE 230-400/24V 300VA 50/60Hz	TRANSFORMER 230-400/24V 300VA 50/60Hz
B6516	*	INTERRUTTORE MAGNETICO 20A TYPE C	MAGNET SWITCH 20A TYPE C
B6522		MORSETTO SPRECHER VU4-4	TERMINAL SPRECHER VU4-4
B6592		MOT.B14 230-400/50T 3KW 4COL.V - K3	3PHASE ELECTRIC MOTOR 230/400V 50HZ 3KW HIGHT SPEED - K3
C0042		RACCORDO RAP.DIR.M 1/8X6	QUICK MALE CONNECTION 1/8" X PIPE 6
C0043		VITE TE M6X10 UNI 5739	SCREW TE M6X10 UNI 5739
C0049		TAPPO M1/4	PLUG M1/4
C0051		TUBO RYLSAN Ø4/6	RYLSAN HOSEØ4/6
C0057		RACCORDO RAPIDO "L" 1/8"-Ø6 S6500	QUICK "L" CONNECTION 1/8"-Ø6 S6500
C0061		VITE TE M8X10 UNI 5739	SCREW TE M8X10 UNI 5739
C0062		RONDELLA Ø10,5X21 UNI 6592	WASHER Ø10,5X21
C0076		RACCORDO A "L" M-F 1/4 S2020	QUICK "L" CONNECTION M-F 1/4 S2020
C0099		VITE TE 6X20 8.8 UNI 5739	SCREW M6X20 - 8.8
C0100		RONDELLA Ø8,4X17 UNI 6592	WASHER Ø8,4X17 UNI 6592
C0105		VITE TE M8x30 UNI 5739	SCREW TE M8x30 UNI 5739
C0278		RACCORDO "L" GIREVOLE M M5X6	"L" CONNECTION M5X Ø6
C0339		TUBO RILSAN 8X6 NERO	RILSAN HOSE D.8X6
C0418		VITE AUTOFIETT. Ø2,9x9,5 UNI 6954	SELF TAPPING SCREW Ø2.9X9.5
C0538		TAPPO M1/8"	PLUG M1/8"
C0617		RONDELLA Ø6,4X12,5 UNI 6592	WASHER Ø6,4X12,5 UNI 6592
C0661		DADO M5 UNI 5587	NUT M5 UNI 5587
R0046		DADO MEDIO M12 UNI 5588	NUT M12
R0068		SEEGER E30 UNI 7435	SNAP RING E30 UNI 7435
R0153		VITE TE M8X25 UNI 5739	HH SCREW M8X25 UNI 5739
R1006		DADOBLK M20X1.5 UNI 7474 ZB	SELF-LOCKING NUT M20X1.5 UNI 7474 ZB
R2497		ANELLO SEEGER E16 UNI 7435	RETAINING RING E16 UNI 7435
V926		TAMPONE IN GOMMA H=80	RUBBER PAD H=80
Z_ZCONS		* = RICAMBI CONSIGLIATI	* = RECOMMENDED SPARE PARTS



Dichiarazione di conformità - Declaration of Conformity
Konformitätserklärung - Déclaration de conformité
Declaración de conformidad - Overensstemmelseserklæring
Samsverserklæring - Överensstämmande intyg
EG-Conformiteitsverklaring



OMA S.p.A.

Via dell' Artigianato, 64 36045 LONIGO (Vicenza) Italy
Tel. ++/+444/436199 - Fax ++/+444/436208

con la presente dichiariamo che il ponte sollevatore modello
déclare par la presente que le pont elevateur modèle
hereby we declare that the lift model
hiermit erklären wir, daß Die Hebebühne Modell
por la presente declara, que l'elevador modelo
Vi erklærer hermed, at autoløfter model
Vi erklærer herved, at løftebuk model
Vi deklarerar härmed att billyft modell
verklaren hiermee, dat

526LT- ALT



è stato costruito in conformità alle normative 73/23 CEE - 89/336 CEE e 98/37/CE



a été construite en conformité avec les normes 73/23 CEE - 89/336 CEE et 98/37/CE



was manufactured in conformity with the normes 73/23 CEE - 89/336 CEE and 98/37/CE



in Übereinstimmung mit den Richtlinien 73/23 CEE - 89/336 CEE und 98/37/CE



ha sido fabricado según las disposiciones 73/23 CEE - 89/336 CEE y 98/37/CE



er fremstillet i overensstemmelse med bestemmelserne i 73/23 EØF - 89/336 EØF - 98/37/EØF



ble produsert i samsvar med direktivene 73/23 CEE - 89/336 CEE - 98/37/CE



är framställd i överensstämmelse med bestämmelser i RÅDETS DIREKTIV 73/23 EG - 89/336 EG - 98/37/EG



waarop deze verklaring betrekking heeft, voldoet aan de voorschriften van richtlijn 73/23/EEG en 89/336 EEG en 98/37 EEG en de daaropvolgende veranderingen en aanvullingen.

Ente certificatore - Organisme cetrificateur
Certification institute - Prüfsinstitut

Registrazione Nr. - Enregistrement N°
Registered No. - Registrier Nr.

CE0044 TÜV

04 205-3362/05

Lonigo 27/06/2005

ing. Carlo Cordonatto